

# ELEVAH<sup>®</sup> 5

elevah.com



+  
**COMPACT  
COMPATTA**

+  
**WIDE  
SPAZIOSA**

+  
**HANDY  
MANEGGEVOLE**

+  
**COMFORTABLE  
CONFORTEVOLE**

+  
**SAFE  
SICURA**





## + COMPACT COMPATTA

The most compact of its category  
(footprint cm 70 x 98).  
La più compatta della sua  
categoria (ingombro base  
70x98 cm)



## + HANDY MANEGGEVOLE

It turns on itself.  
Extremely easy to drive.  
Ruota su sè stessa.  
Estremamente facile da guidare.





TECHNICAL  
DETAILS  
DETTAGLI  
TECNICI



## + COMFORTABLE COMFORTEVOLE

Practical and safe access thanks to the large platform and side handles.  
Accesso pratico e sicuro grazie all'ampia pedana e alle maniglie laterali



## + WIDE SPAZIOSA

Large basket, convenient for all sizes.  
Ampio cestello, comodo per tutte le taglie

## **+** SAFE SICURA

- **CONTROL ACCESS**  
Automatic door block. Prevents accidental opening.
- **TILT DEVICE**  
Prevents lifting on sloping surfaces.
- **SIGNALS**  
3 presence detectors that can be integrated with the BLU SPOT accessory
- **JOYSTICK**  
All controls at hand.
- **SPEED CONTROL**  
Speed control adjustment.

### **OPTIONAL**

- **RADAR SYSTEM**  
3 anti-collision radar systems can be fitted on the machine
- **KEY ACCESS**  
Basket block at max. 1,95 m platform height.

- **CONTROL ACCESS**  
Blocco automatico dello sportello. Evita l'apertura accidentale.
- **INCLINOMETRO**  
Impedisce il sollevamento in spazi inclinati
- **SEGNALATORI**  
Ben 3 segnalatori di presenza che possono essere integrati con l'optional BLUE SPOT
- **JOYSTICK**  
Tutti i controlli a portata di una sola mano
- **SPEED CONTROL**  
Regolatore di velocità

### **OPTIONAL**

- **RADAR SYSTEM**  
3 sistemi radar anticollisione applicabili alla macchina
- **KEY ACCESS**  
Blocco della macchina h. max. 1,95 al piede. Questo accessorio consente l'utilizzo della macchina senza patentino.





## PICKING VERSION VERSIONE PICKING

Picking plate having 100 kg safe load capacity, foldable and electrically adjustable.  
Piano picking con 100 kg di portata a regolazione elettrica e richiudibile di serie.



**OPTIONAL**  
Belt with winder to block the goods during picking activities  
Cinta per legare pacchi al piano picking con arrotolatore



**OPTIONAL**  
Extension for picking platform  
Prolunga per piano picking



**Customizable colors on request**  
Colori personalizzabili su richiesta



## REMOVABLE PICKING PLATE PIANO ASPORTABILE

On demand a fixed picking plate instead of the electrical one, having 3 possible adjustments.

Possibilità di sostituire il piano elettrico con quello asportabile a 3 regolazioni.



**Faradone**.com

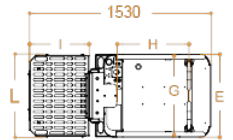
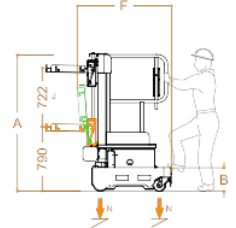


**ELEVAH**.com



# ELEVAN<sup>®</sup> 5 picking

Max. working height	5,15 m	
Max capacity	200 kg	
Number of people	1	
Use	Internal - External	
<b>A</b>	Closed machine height	1690 mm
<b>B</b>	Min. height from the ground*	289 mm
<b>C</b>	Maximum platform height	3150 mm
<b>D</b>		1540 mm
<b>E</b>	Base overall dimensions	700 mm
<b>F</b>		1152 mm
<b>G</b>	Cage dimensions	685 mm
<b>H</b>		600 mm
Machine weight	640 kg	
Drive wheels dimension	Ø 186 x 60 mm	
Swivel wheels dimensions	Ø 150 x 40 mm	

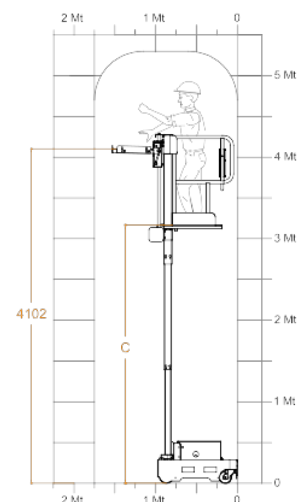
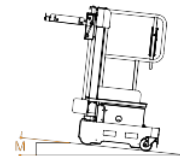


## PICKING PLATFORM

<b>I</b>	Dimensions	500 mm
<b>L</b>		680 mm
Adjustment	Electrical	
<b>J</b>	Stroke	722 mm
Min. height from the ground	790 mm	
Maximum height from the ground	4102 mm	
Capacity	100 kg	

## PERFORMANCE

Power supply	Electrical 24 V	
Batteries	2 Trojan Lead-Acid 12V 105 Ah	
Battery charger	115V – 230V 50/60HZ	
<b>M</b>	Maximum climbing ability	15%
Climbing ability at height	2,5%	
Internal turning radius	0	
External turning radius	1050 mm	
Max. speed (rising – descending)	0,2 m/s	
Maximum speed (with basket on the ground)	5,5 km/h	
<b>N</b>	Maximum pressure for wheel at full load**	2,9 kN
Work cycles (with fresh batteries) ***	100	



\* There is an intermediate step.

\*\* Maximum pressure whereas the weight of the platform plus the maximum load on the basket are completely distributed on one side of the platform (totally asymmetric load).

\*\*\* By work cycle we mean a self-propelled movement of 20 m with a full ascent to and descent from the maximum height and with adjustment of the loading platform.

**CE** Complies with European regulations for man-up forklift trucks. UNI EN ISO 3691-1.