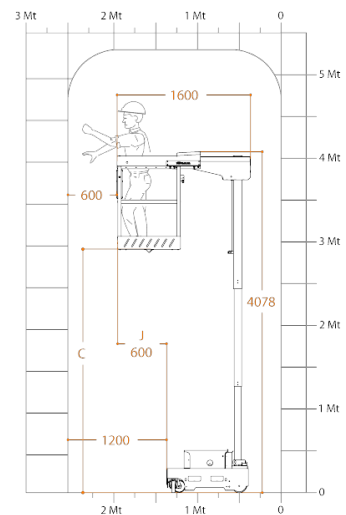
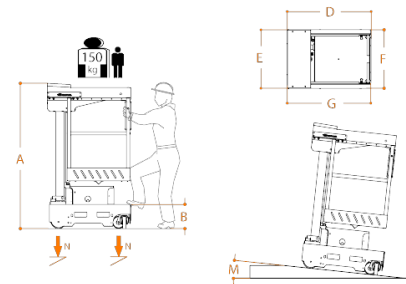


ELEVAH[®] 5ES

Max. working height	4,9 m
Max capacity	150 kg
Number of people	1
Use	Internal
A Closed machine height	1730 mm
B Minimum platform height	289 mm
C Maximum platform height	2916 mm
D Base overall dimensions	980 mm
E	700 mm
G Cage dimensions	1000 mm
F	690 mm
Machine weight	720 kg
Drive wheels dimension	Ø 186 x 60 mm
Swivel wheels dimensions	Ø 150 x 40 mm
Adjustment/extraction	Manual
J Stroke	600 mm
Minimum extension	1000 mm
Maximum extension	1600 mm
Power supply	24 V
Batteries	2 Trojan Lead-Acid 12V 105 Ah
Battery charger	115V – 230V 50/60HZ
M Maximum climbing ability	15%
Climbing ability at height	2,5%
Internal turning radius	0
External turning radius	1080 mm
Max. speed (rising – descending)	0,2 m/s
Maximum shifting speed	5,5 km/h
Maximum shifting speed at height	1 km/h
N Maximum pressure for wheel at full load**	3 kN
Work cycles (with fresh batteries) ***	100



* There is an intermediate step.

** Maximum pressure whereas the weight of the platform plus the maximum load on the basket are completely distributed on one side of the platform (totally asymmetric load).

*** By work cycle we mean a self-propelled movement of 20 m with a full ascent to and descent from the maximum height and with adjustment of the loading platform.



Compliant with **EN280** rule.
Approved for indoor use or outdoor use in the absence of wind.