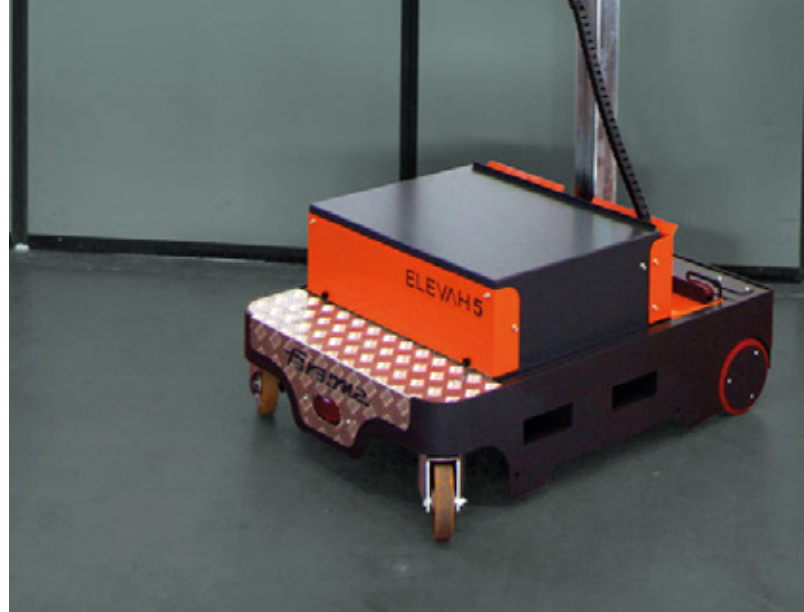
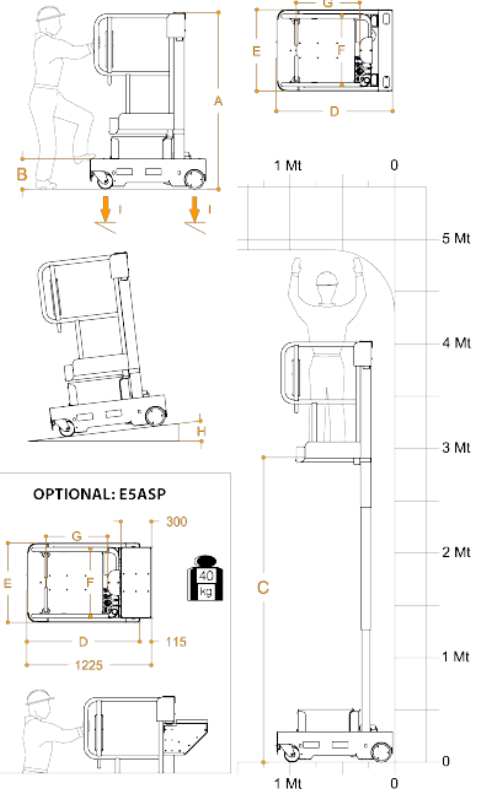


ELEVAH[®]5 MOVE LIGHT



ELEVAH[®] 5 MOVE LIGHT

Max. working height	4,9 m	
Max capacity	200 kg	
Number of people	1	
Use	Internal	
A	Closed machine height	1690 mm
B	Min. height from the ground*	290 mm
C	Maximum platform height	2910 mm
D	Base overall dimensions	1110 mm
E		780 mm
F	Cage dimensions	685 mm
G		600 mm
Machine weight	400 kg	
Power supply	24 V	
Batteries	2 Trojan Lead-Acid 12V 105 Ah	
Battery charger	110V – 220V 50/60HZ	
Climbing ability at height	1,7% - 1°	
H	Maximum climbing ability	15%
Drive wheels dimension	Ø 186 x 60 mm	
Swivel wheels dimensions	Ø 150 x 40 mm	
Internal turning radius	0	
Max. speed (rising – descending)	0,2 m/s	
Maximum shifting speed	5,5 Km/h	
Maximum shifting speed at height	1 Km/h	
I	Maximum pressure for wheel at full load**	2,1 kN
Work cycles (with fresh batteries) ***	100	



* There is an intermediate step.

** Maximum pressure whereas the weight of the platform plus the maximum load on the basket are completely distributed on one side of the platform (totally asymmetric load).

*** By work cycle we mean a self-propelled movement of 20 m with a full ascent to and descent from the maximum height and with adjustment of the loading platform.



Compliant with **EN280** rule.
Approved for indoor use or outdoor use in the absence of wind.